


# PRODUCT SHEET

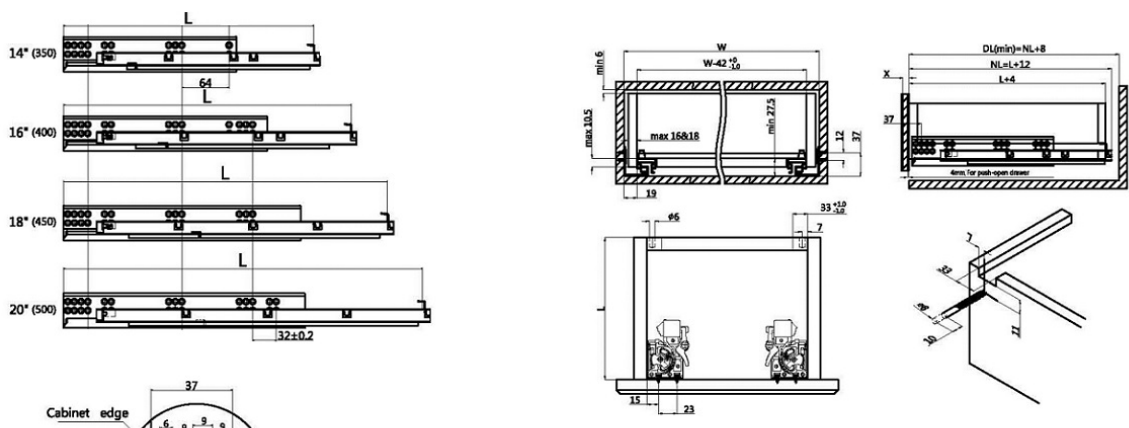
**Description:**

Invis. Full Ext. Slide, Self Closing, Pre-Zinc,350mm,W/Quick

**Item number:**

16.13.482-0

Units	Box	Carton	HS Code	Barcode
Pair	1	10	8302420090	 5704866489867



Item No.:	L	DL
613482	340	360
613483	390	410
613484	440	460
613485	490	510